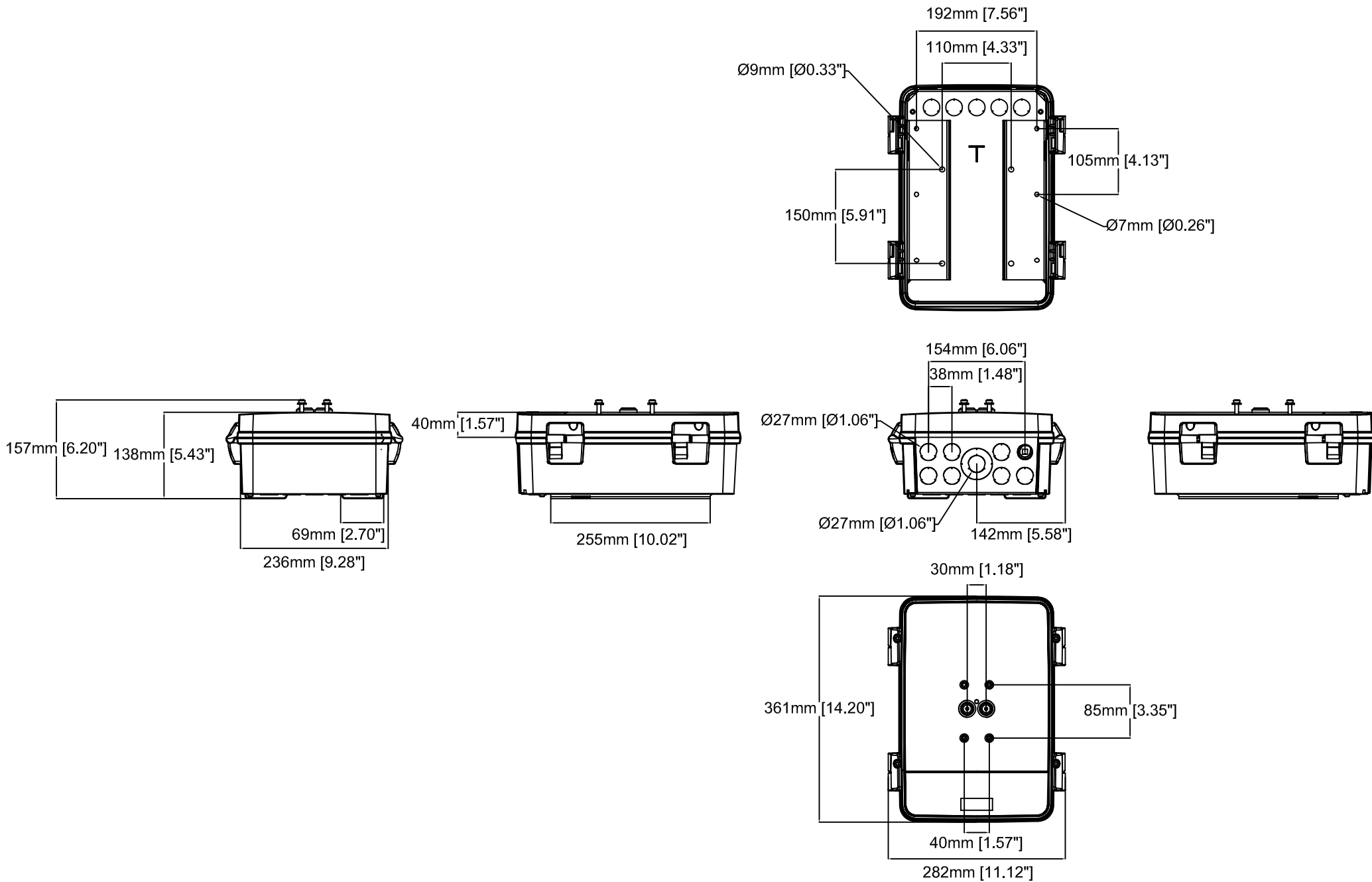


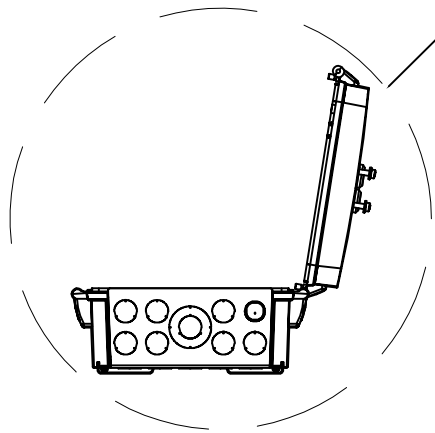
AXIS T98A16-VE Surveillance Cabinet

Revision	v.01	Revision date	2017-10-25
Paper size	A4	Release date	2012-06-30
Created by	JOT	Scale	1:5

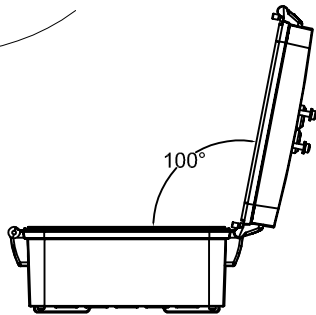


AXIS T98A16-VE Surveillance Cabinet

Revision	v.01	Revision date	2017-10-25
Paper size	A4	Release date	2012-06-30
Created by	JOT	Scale	1:8

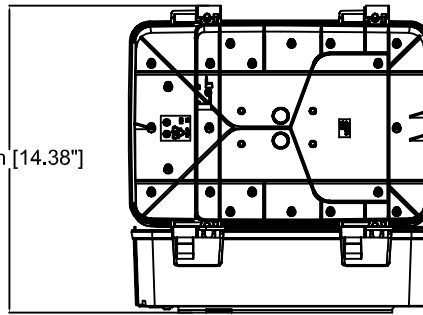


Cabinet Door, T98A06,
can be installed on either side of the cabinet.

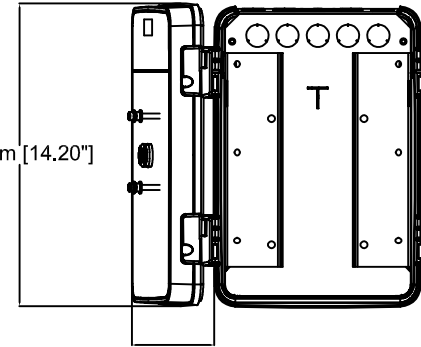


100°

365mm [14.38"]

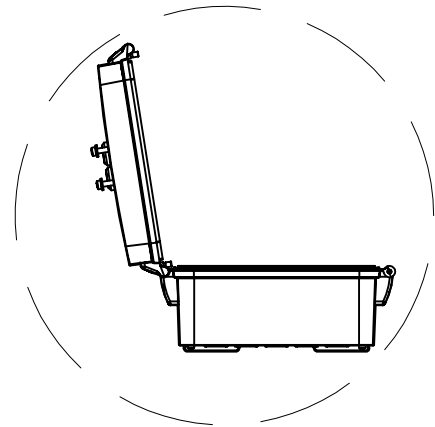
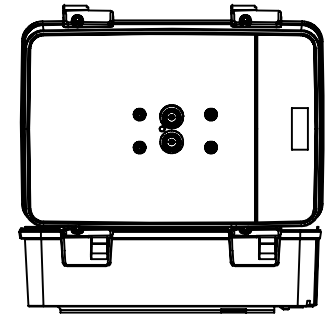
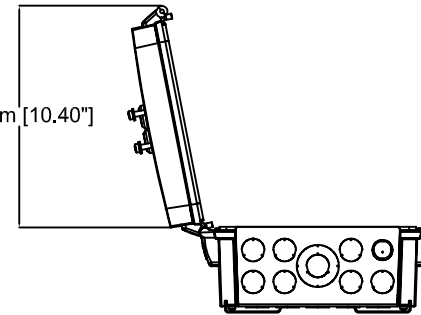


361mm [14.20"]

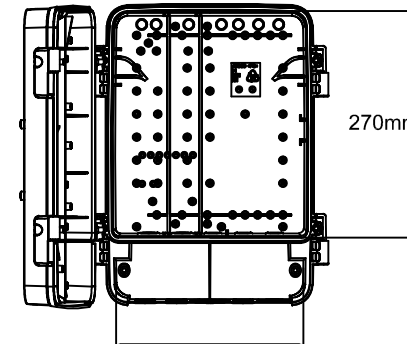


98mm [3.86"]

264mm [10.40"]



270mm [10.63"]



223mm [8.76"]



AXIS T98A16-VE Surveillance Cabinet

Revision	v.01	Revision date	2017-10-25
Paper size	A4	Release date	2012-06-30
Created by	JOT	Scale	1:9